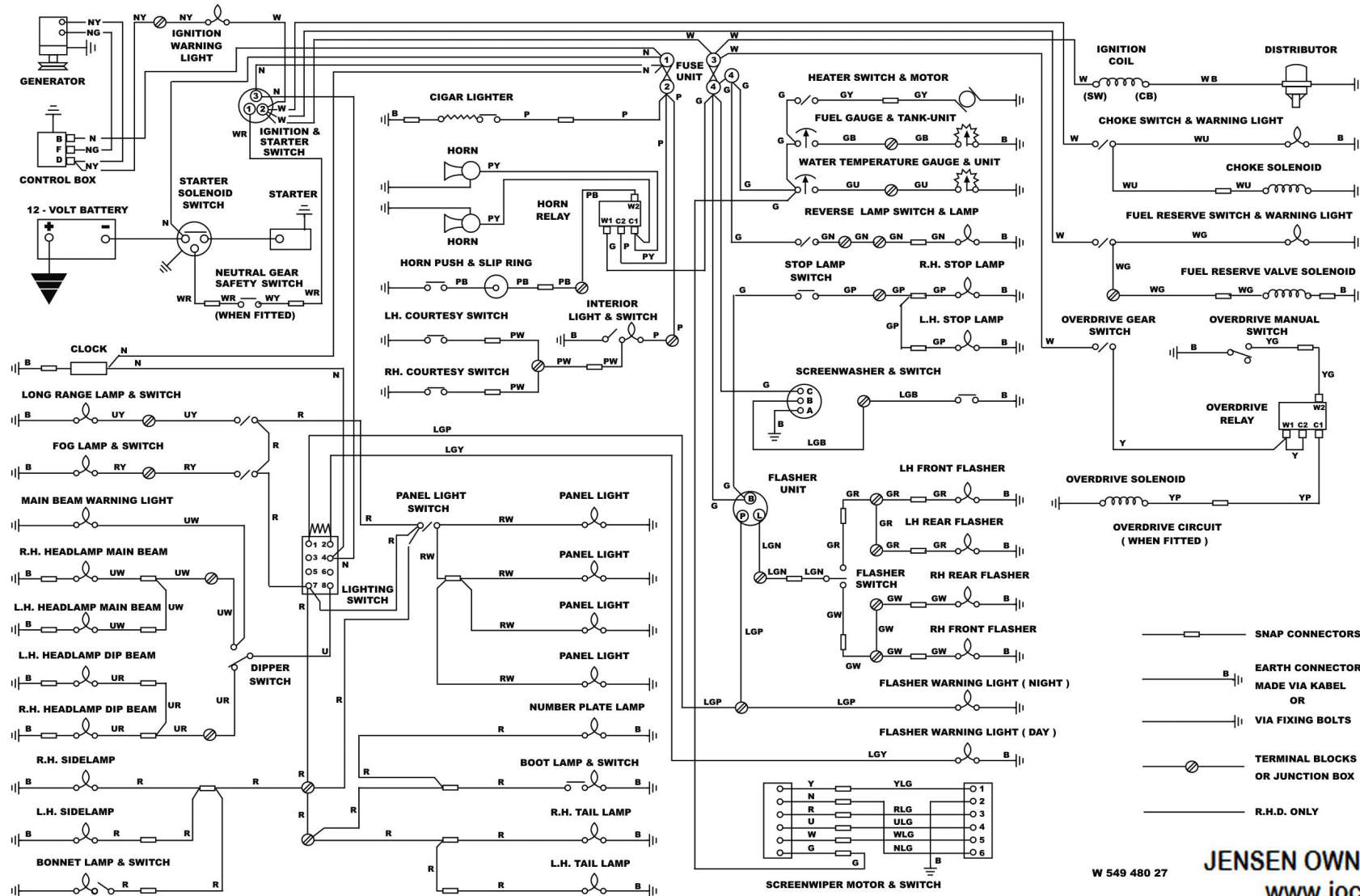


**ISSUED:
MARCH 1961**

LUCAS ELECTRICAL EQUIPMENT

JENSEN



W 549 480 27

JENSEN OWNERS' CLUB
www.joc.org.uk

CABLE COLOR CODE

B	BLACK	P	PURPLE	Y	YELLOW
U	BLUE	G	GREEN	D	DARK
N	BROWN	S	SLATE	L	LIGHT
R	RED	W	WHITE	M	MEDIUM

When a cable has two colour code letters, the first code is the main colour and the second denotes the tracer colour

JENSEN 541-S SALOON CARS HOME & EXPORT MODELS (1961)

NOT FOR SALE

COPYRIGHT All rights reserved. No part of this diagram may be reproduced without permission.

WIRING DIAGRAM No. W549 480 27

EZ/361/L

Printed in England